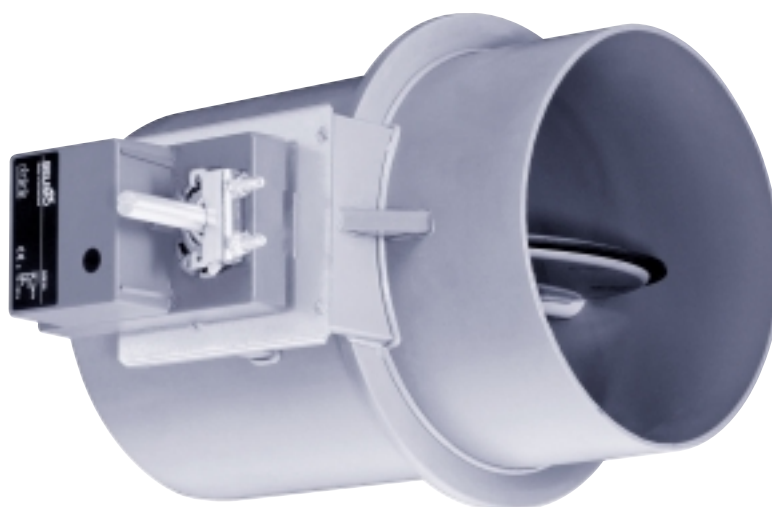


Plastic Shut Off Damper

for aggressive media

Type AKK



TROX[®] TECHNİK

Contents · Description

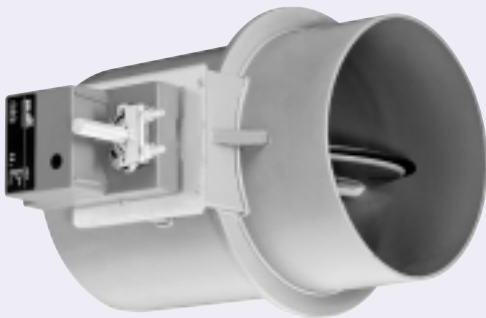
Description	2
Construction and Dimensions	3
Order Details	4

Trox shut off dampers type AK made of PP's plastic, are used to shut off volume flows in air conditioning systems. They can be fitted in duct systems for aggressive media as all parts in contact with the air flow are made of plastic.

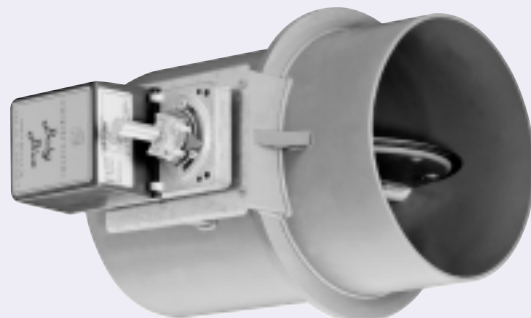
The materials used have been selected from experience and have proved successful in practice. This does not however release the user from the need to check the suitability.

Available with pneumatic or electric actuators or with manual operation.

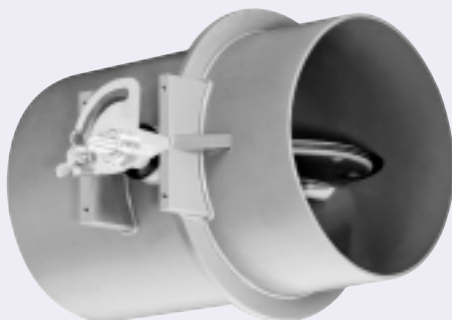
AKK, Electric



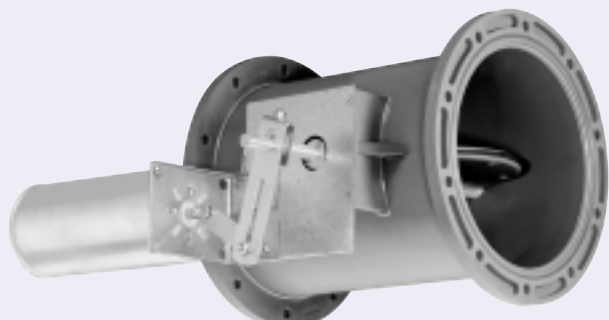
AKK, Electric



AKK, Manual adjustment



AKK, Flanged construction



Construction · Dimensions

Design Features

Damper Blade

- For shut off of volume flows
- Operation either pneumatic, electric or manual
- Maximum duct pressure 1500 Pa
- The adjustment mechanism of the blade is maintenance-free
- Operating temperature 10 to 50 °C

Casing

- Circular construction in 5 sizes
- With same connection diameter both ends (basic design)
- Optional with flange both ends
- Air flow leakage to Class II, VDI 3803 or DIN V 24 194, part 2

Materials

- Casing and damper blade in non-flammable polypropylene (PPs)
- Plain bearings in polypropylene (PP)
- Damper blade seals in chloroprene rubber (CR)

Table 1: Dimensions in mm

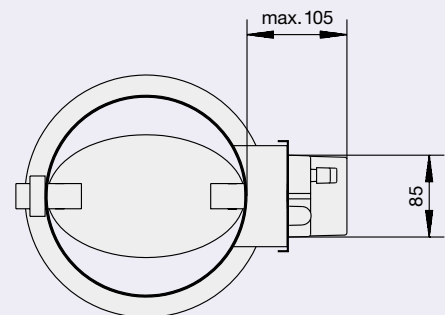
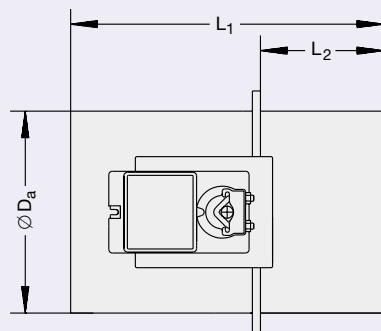
Size	∅ D _a	∅ D ₁	∅ D ₂	L ₁	L ₂	s	∅ d	n ¹⁾
125	125	185	160	310	122	12	9	6
160	160	220	195	310	122	12	9	8
200	200	260	235	310	122	12	9	10
250	250	310	285	400	162	15	9	10
315	315	375	350	400	162	15	9	12

1) n = number of flange holes

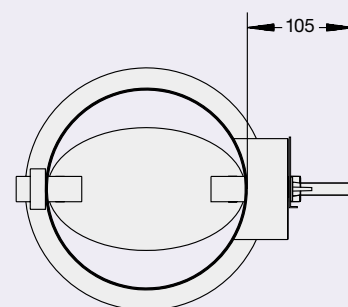
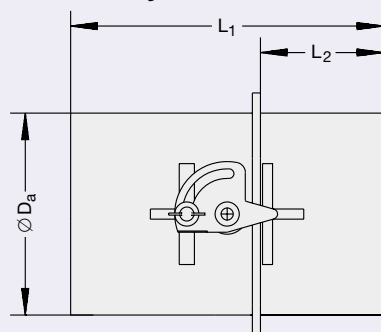
Table 2: Weights in kg

Size	without flange		with flange	
	with actuator	manual adjustment	with actuator	manual adjustment
125	1.9	1.0	2.2	1.3
160	2.1	1.1	2.5	1.5
200	2.4	1.4	2.8	1.8
250	2.9	1.9	3.5	2.5
315	4.0	3.0	4.7	3.7

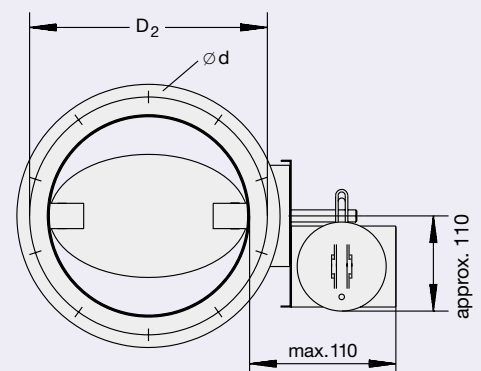
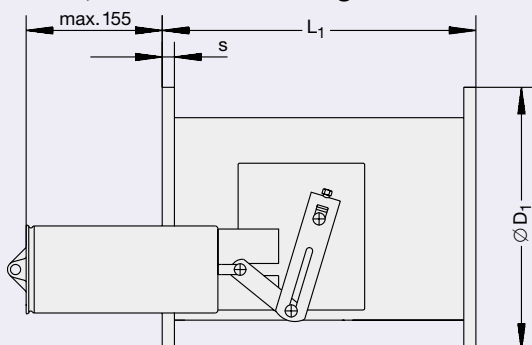
AKK, electric



AKK, Manual adjustment

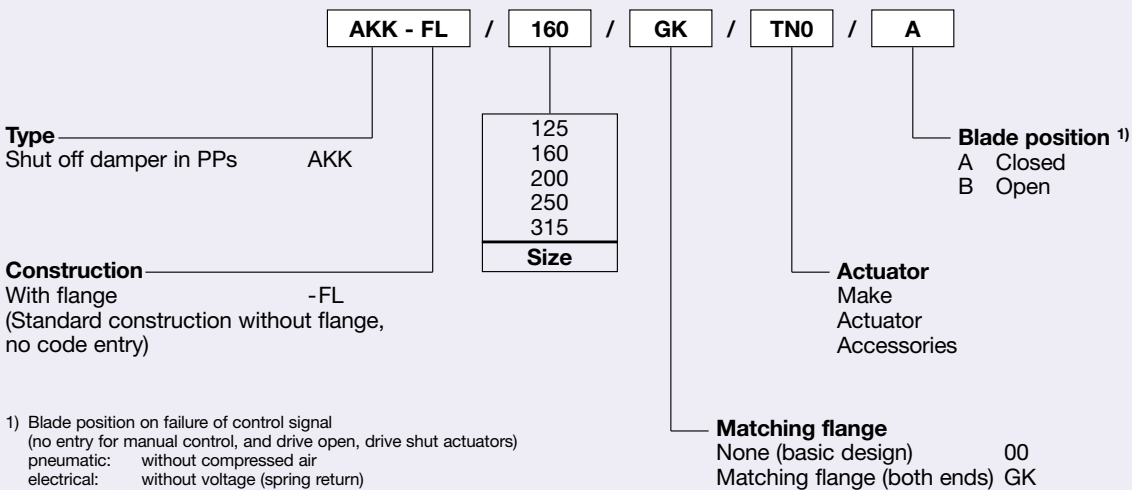


AKK, Pneumatic or flanged construction



Order Details

Order Code



Specification Text

Circular construction shut off damper in PPs plastic for shut off of volume flows with aggressive media in air conditioning systems, all components in contact with air made of plastic, suitable for duct pressures up to 1500 Pa, with same connection diameter both ends, optional with flange both ends, casing leakage air flow to Class II, VDI 3803 or DIN V 24 194, part 2, damper operation pneumatic, electric or manual.

Material:

Casing and damper blade in non-flammable polypropylene (PPs), plain bearing in polypropylene (PP), damper blade seal in chloroprene rubber (CR).

Order Example

Make: TROX
Type: AKK-FL / 160 / GK / TN0 / A